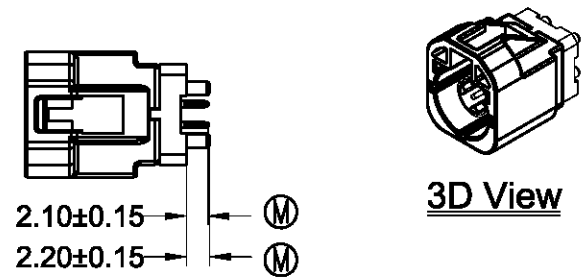
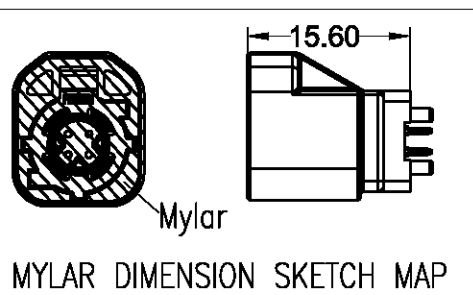
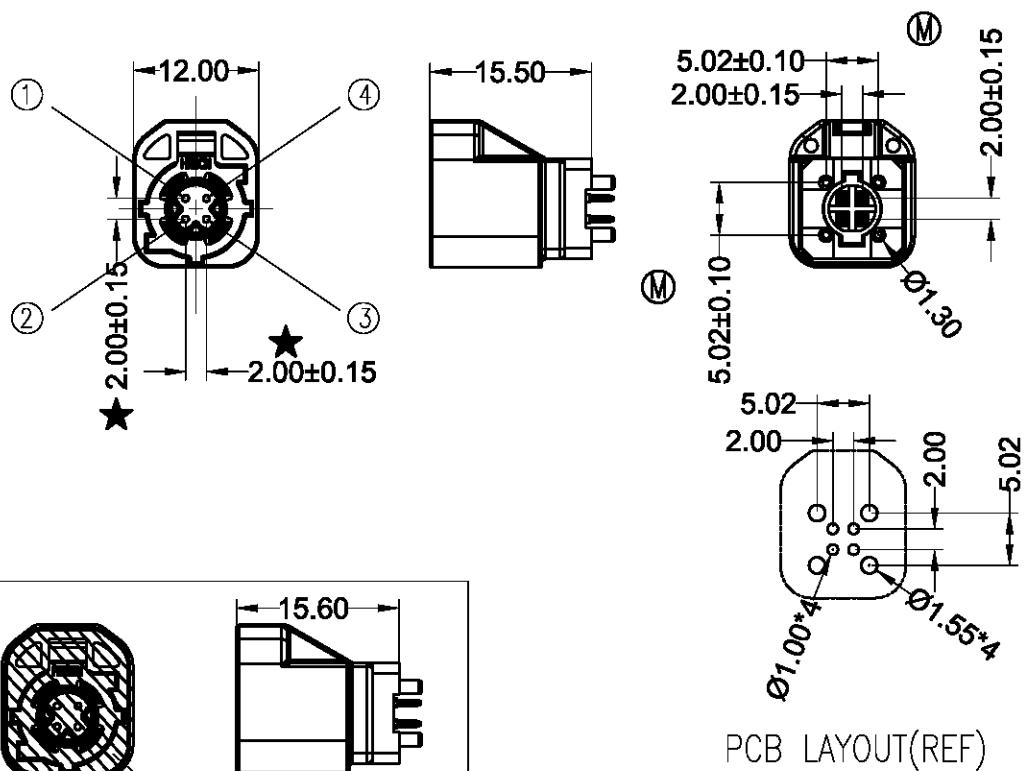


Version	Description of Change	Date	Drawn by
A0	NEW	2018.08.09	王明灯
A1	Update Size	2018.10.18	王明灯
A2	修改CAP为Mylar	2020.11.18	王明灯



Notes:
 Insulation Resistance:1000MΩ Min.
 Dielectric Withstanding Voltage:500V DC
 Contact Resistance:10mΩ Max.
 Mating force:30N Max.
 Un-mating force:5N-25N.
 Contact Retention Force(without lock):5N Min.
 Un-mating force (with lock): 110N Min.
 Operating Temperature:-40°C to +105°C
 Materials:
 Terminal :Copper alloy;
 Housing:High Temperature Thermoplastic,
 UL94V-0, Color: See Part Number
 " M " important size, " ★ " Special characteristic size.



序号	1	2	3	4	5	6	7
图视							
类型	A	B	C	D	E	F	Z
颜色	黑色	本色/白	蓝色(RAL5005)	枣红(RAL4004)	褐色(RAL8011)	绿色(RAL6002)	水蓝(RAL5021)
料号	A-M22046-4-A	A-M22046-4-B	A-M22046-4-C	A-M22046-4-D	A-M22046-4-E	A-M22046-4-F	A-M22046-4-Z

Part number (料号) A-M22046	Version (版本) A2	Date (日期) 2020.11.18	UNIT:mm		东莞市鸿儒连接器有限公司 HongRu Connectors(DG) Co.,Ltd.	Drawn by (制图) 王明灯	Confirmed by (审核) Miki	Approved by (核准) David
Title (名称) 2.0Ph 2X2pin HSD product Drawing			Tolerance: .XXX ±0.15 .XX ±0.25 .X ±0.35	Angular Dim. .XX° ±1° .X° ±2° .X° ±3°				
FIRST ANGLE PROJECTION								